



## VKCD-1333SM/49

Article-No.: 92575

1/3" Dome, Fixed, Day&Night, 4-9mm,  
600TVL, 12VDC

### Main features

1/3" Sony Super HAD II CCD  
On-screen display (OSD)  
High speed shutter control (MES/ESC)  
Privacy masking/Mirror function/Motion detection  
Manual 3-axis camera gimbal

Sensitivity of 0.15Lux at F1.2  
Backlight compensation (BLC)  
Digital noise reduction (DNR)  
Integrated fix lens: F1.5/4-9mm  
Supply voltage: 12VDC

### Specifications

Video standard	PAL
System	day&night
Sensor size	1/3"
Imager	CCD
Imager	Sony Super HAD II Interline Transfer
Active picture elements	440,000 (H) 752 x (V) 582
Synchronization	internal
Signal-to-noise ratio	50dB (AGC OFF)
Sensitivity (at 50% video signal)	0,15 Lux
Sensitivity (at 50% video signal)	(colour), 0.06Lux (B&W) at F1.2 (measured)
Horizontal resolution	600 TVL
Rotation range	359°
Privacy zones masking	4 Areas selectable
Automatic gain control (AGC)	ON/OFF switchable
Automatic electronic shutter (ESC)	1/50 ~ 1/120,000sec.
Manual electronic shutter (MES)	1/50 ~ 1/120,000sec.
Low speed shutter	no




## Specifications (continued)

Digital Noise Reduction (DNR)	yes
Digital Noise Reduction (DNR)	Adjustable: Max / Mid / Min, ON/OFF switchable
Flickerless function	ON/OFF switchable
Automatic white balance (AWB)	Available
Backlight compensation	BLC
Backlight compensation	OFF/Low/Mid/High selectable
Wide Dynamic Range (WDR)	no
Aperture Correction (APC)	horizontal and vertical
IR cut filter	OLPF (Overlay Low Pass Filter)
Video outputs	composite (CVBS)
Video outputs	1Vp-p, (C)VBS, 75ohms, BNC
Lens type	varifocal
Focal length	4 mm - 9 mm
Horizontal angle of view	71° - 31,6°
Aperture range (F)	F1.5-F250
Iris control	DC
MOD (Minimum object distance)	0,5 m
Filter screw size	not available
Alarm inputs	-
Alarm outputs	no
Illumination	no
Activity detection	yes
Motion detector	4 zones, ON/OFF switchable
Analysis Functions	no
Menu languages	English
OSD function control	Mirror (H), Day&Night, AGC, BLC, DNR, Flickerless, Shutter, Sharpness, Brightness, White balance, R-Y/B-Y, Privacy zones masking, Motion Detection, Text, DC level
Text display	8 character labels, ON/OFF switchable
Camera ID	Via ID no. (alpha numeric 001-255)
Sharpness correction	adjustment range: 0 - 20
Brightness	adjustment range: 0 - 20
Internal adjustments	Compass switch for menu access
Cable connection	Video (BNC), Power (2 pin screw terminal)
Serial interfaces	no
Temperature range (operation)	-10°C - +45°C
Heater	no
Protection rating	n/a
Protection rating	at installation according to the manual
Supply voltage	12VDC
Supply voltage	12VDC (10 - 15VDC), 12VDC ±0.5V recommended
Power consumption	Approx. 2watts
Vandalism resistant	no
Bubble	Polycarbonate plastic with black inner liner
Colour (bubble)	clear
Camera adjustment	3-axis camera adjustment
Mounting	ceiling mount, wall mount
Housing	indoor

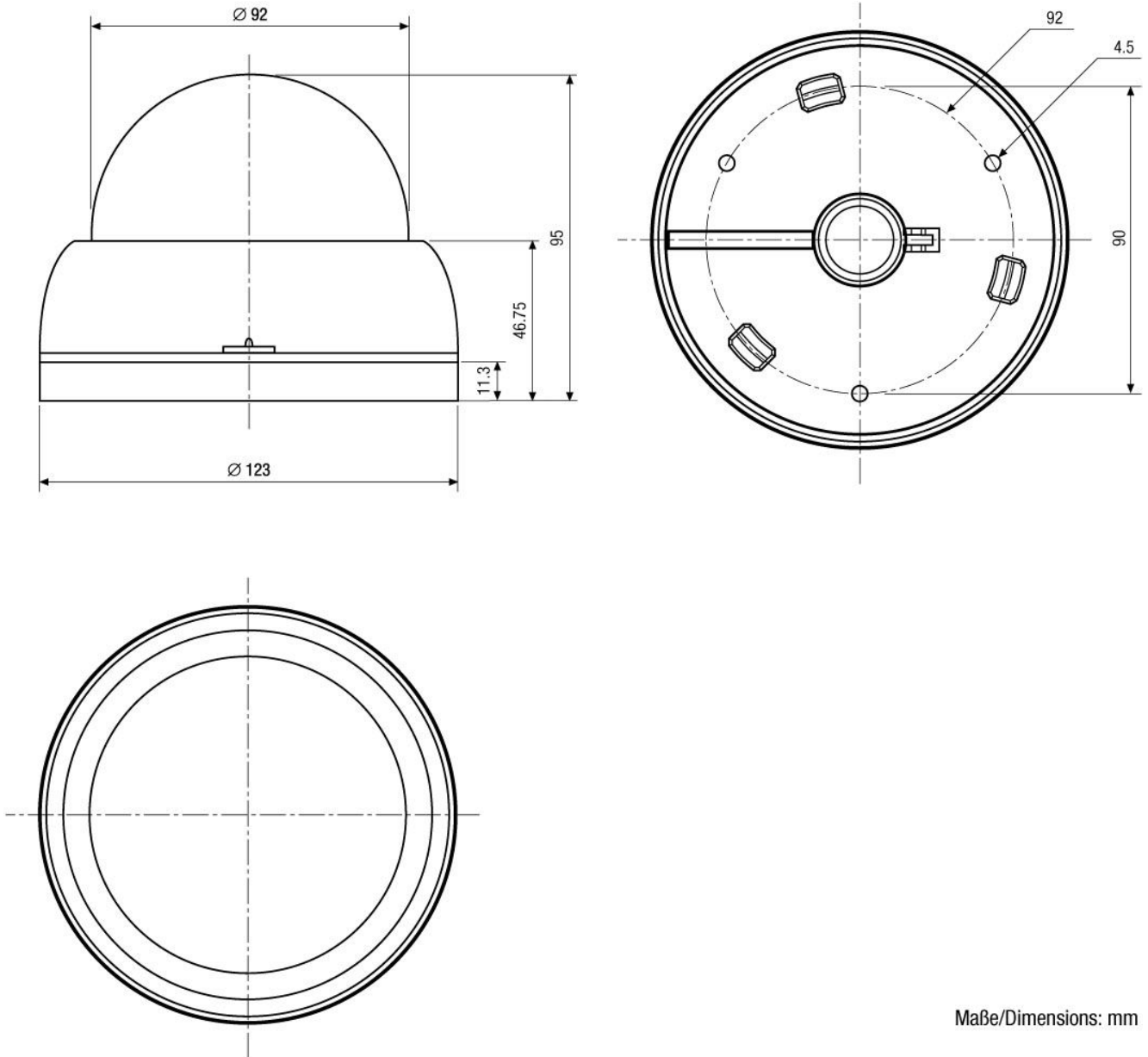
## Specifications (continued)

Housing material	plastic
Colour (housing)	Pantone Warm Gray 1C
Dimensions (HxWxD)	see drawing
Weight	370g
Parts supplied	Screw set, Drilling template, Test Monitor cable, Manual
Certificates	CE

## Optional Accessories

Image	Artikel-Nr. / Typ	Description
	VT-PS12DC-8	Plug-in Power Supply Unit 100-240VAC 12VDC (1.0Amp), Regulated, with DC Plug
	VT-PS12DC-7	Plugable PSU w. Cont. & UK Mains plug-in 100-240VAC/12VDC-1.25A, Regulated
	VT-PS12DCDT1	PSU 12VDC/1.0A, Regulated, Desktop Version, 1.8m Cables each w. open ends

## Technical Drawing



Maße/Dimensions: mm



Your partner for eneo products:

